


## Optoelectronics and Indicators

### NORPS-12

CdS Photocell  
Plastic Package

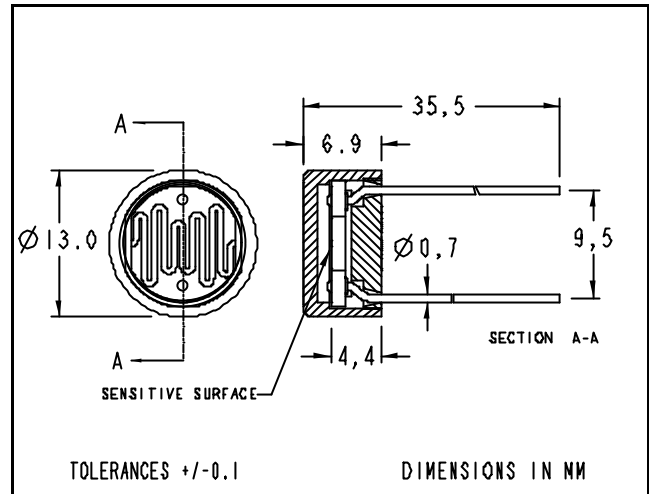
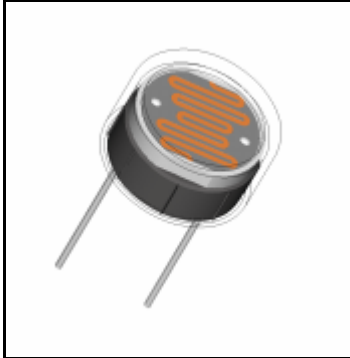
Rapid Order Code	Part Number	Description
58-0132	NORPS-12	Light Dependant Resistor

 Certificate No. RS 20016	<b>NORPS-12 CdS Photocell Plastic Package</b>	<b>58-0132</b>	Revision B
	The enclosed information is believed to be correct, Information may change 'without notice' due to product improvement. Users should ensure that the product is suitable for their use. E. & O. E.		09/11/2000
			Page 1 of 2



# NORPS-12

CdS Photocell  
Plastic Package



## Description

The NORPS-12 is a CdS photoconductive cell with a spectral response similar to that of the human eye, encapsulated in a moisture-resistant coating and enclosed in a plastic casing.

## Absolute Ratings Maximum

Operating Temperature	-60 to +75°C
Storage Temperature	-60 to +75°C
Voltage (peak AC or DC)	250 Volts
Power Dissipation at 30°C (2)	250mW

## Electrical Characteristics (T<sub>A</sub>=25°C unless otherwise noted)

Symbol	Parameter	Min.	Typ.	Max.	Units	Test Conditions
R <sub>L</sub>	Light Resistance	5.4		12.6	kΩ	1 ftc. (1)
R <sub>D</sub>	Dark Resistance			2.5	MΩ	15 sec. after removal of test light.
λ <sub>P</sub>	Spectral Peak		550		nm	

Specifications subject to change without notice

104510 REV 0

- Notes: (1) Cells light adapted at 30 to 50 ftc for 16 hrs minimum prior to electrical tests.  
(2) Derate linearly to zero at 75°C.

5200 St. Patrick St., Montreal  
Que., H4E 4N9, Canada  
Tel: 514-768-8000  
Fax: 514-768-8889

The Old Railway, Princes Street  
Ulverston, Cumbria, LA12 7NQ, UK  
Tel: 01 229 581 551  
Fax: 01 229 581 554